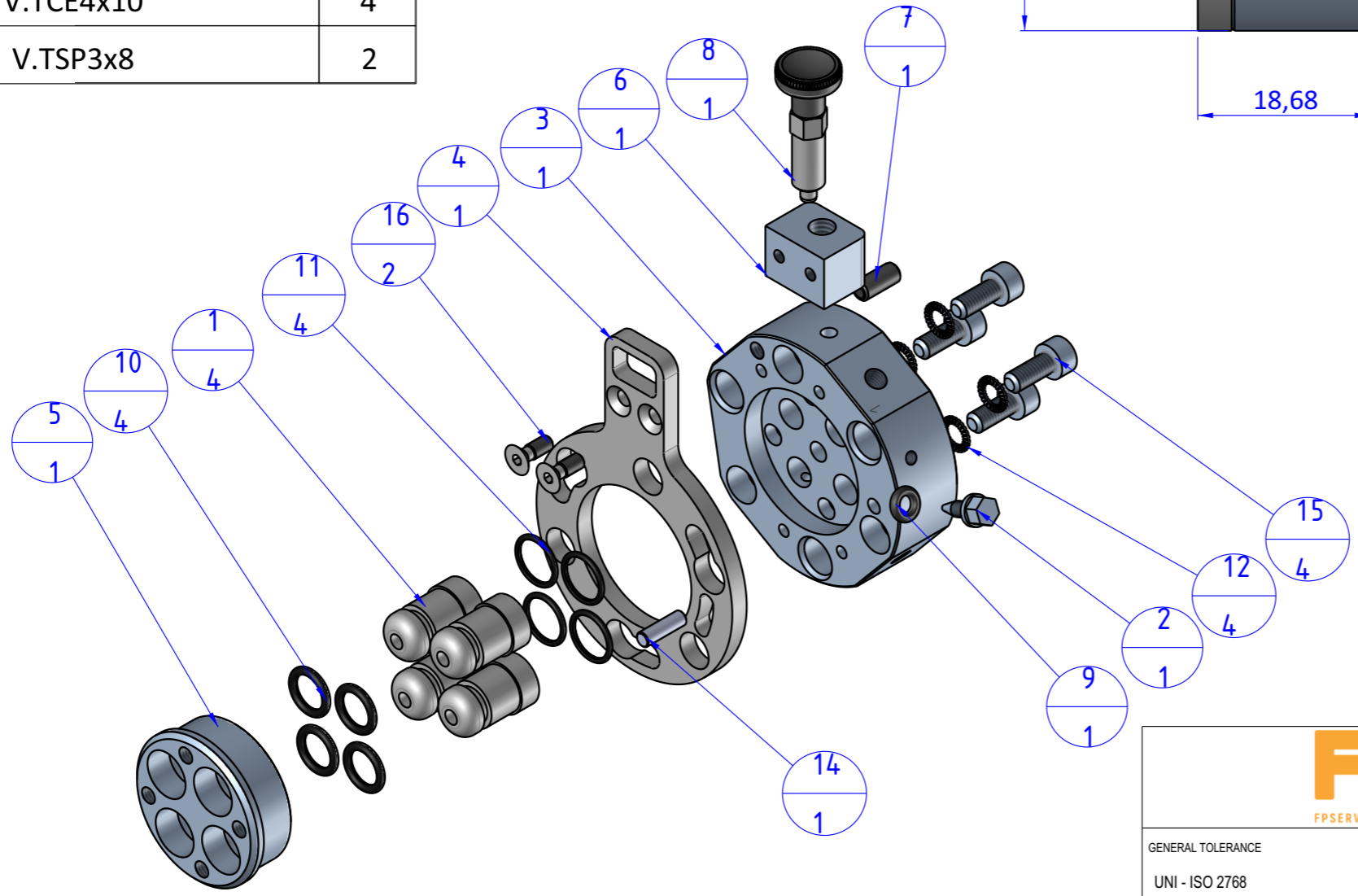
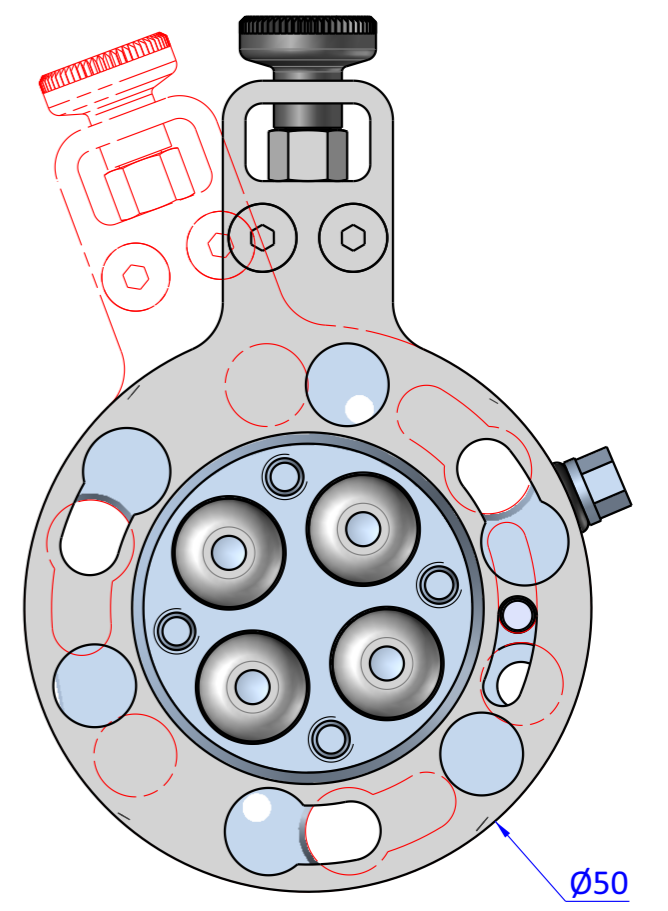
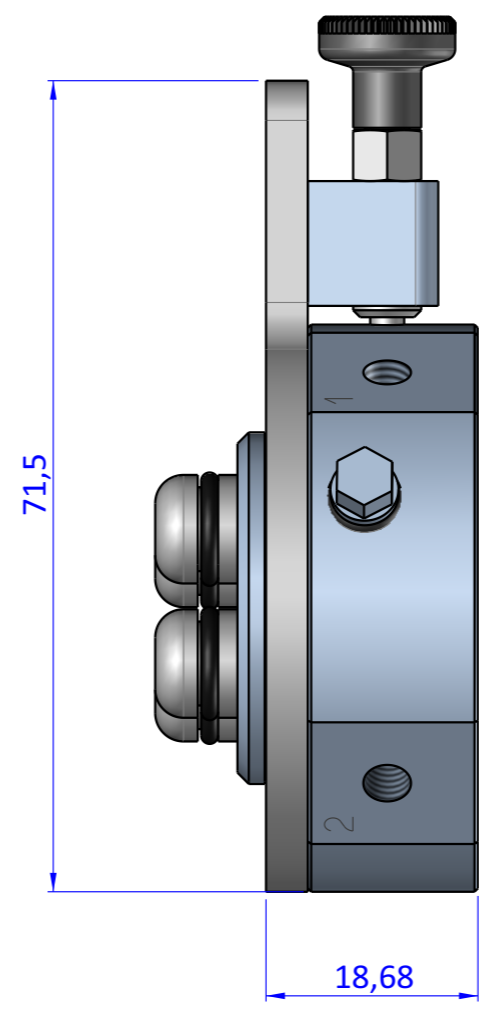



THE PROPERTY OF THE DRAWING IS ESTABLISHED BY LAW. IT IS FORBIDDEN TO PRODUCE OR SHOW IT TO THIRD PART - WITHOUT A WRITTEN AGREEMENT.

| Item | Name          | Q.ty |
|------|---------------|------|
| 1    | 01.01.001.04  | 4    |
| 2    | CUSL.50.08    | 1    |
| 3    | CUSL.50.R.01  | 1    |
| 4    | CUSL.50.R.02L | 1    |
| 5    | CUSL.50.R.03  | 1    |
| 6    | CUSL.50.R.04  | 1    |
| 7    | EL.GN.33101   | 1    |
| 8    | EL.GN.37309   | 1    |
| 9    | ORM.0031      | 1    |
| 10   | ORM.0070.15   | 4    |
| 11   | ORM.0085.10   | 4    |
| 12   | R.4.SCH       | 4    |
| 14   | SP.3x10M6     | 1    |
| 15   | V.TCE4x10     | 4    |
| 16   | V.TSP3x8      | 2    |



Format A3  
UNI 936-76

|  |  |                |  |              |
|--|--|----------------|--|--------------|
| <br><b>FPS</b><br>FPSERVICES AUTOMATION |  | DESIGNED FROM  |  | REVIEW       |
|  |  | FPS Automation |  | A            |
| GENERAL TOLERANCE  |  | DATE           |  | WEIGHT       |
| UNI - ISO 2768   |  | 06/04/2022     |  | 0,108kg      |
| CLASSE f   |  | CODE           |  |              |
|  |  | CA.CUSL.50.R   |  | CA.CUSL.50.R |